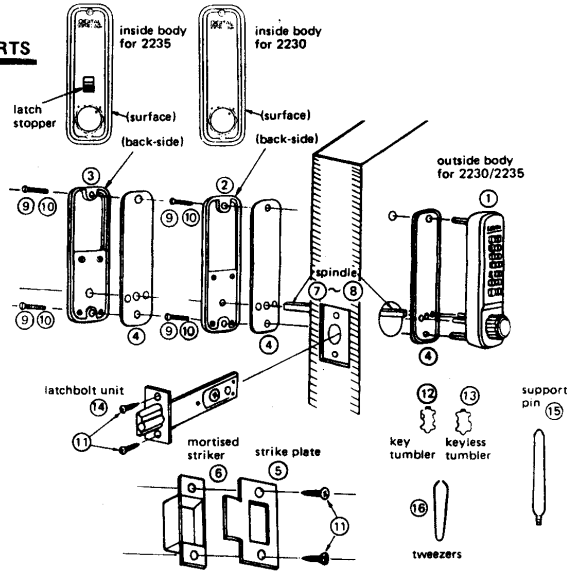


**"INSTALLATION INSTRUCTIONS OF DIGITAL DOOR LOCK"  
 NO. 2230 (Built-In type Latchbolt Lock without "LATCH STOPPER")  
 NO. 2235 (Built-In type Latchbolt Lock with "LATCH STOPPER")**

**I. THE NAME AND DETAILS OF THE ENCLOSED PARTS**

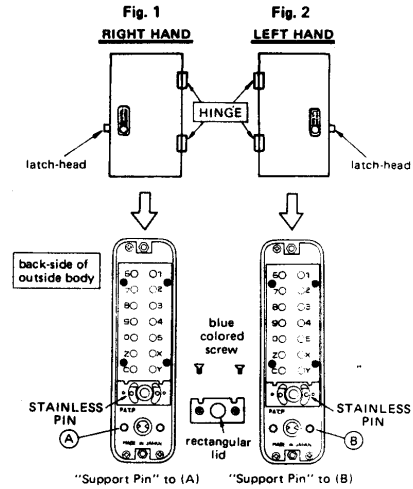
NO.	name of parts	NO.2230	NO.2235
1	outside body	1 pce	1 pce
2	inside body	1 pce	1 pce
3	inside body with "LATCH STOPPER"		1 pce
4	rubber escutcheon	2 pcs	2 pcs
5	strike plate	1 pce	1 pce
6	mortised striker	1 pce	1 pce
7	spindle for 40-55mm (1.37/64"-2.11/64")	1 pce	1 pce
8	spindle for 30-45mm (1.31/16"-1.49/64")	1 pce	1 pce
9	machine screw M4 x 1.31/32" for above 7	2 pcs	2 pcs
10	machine screw M4 x 1.3/8" for above 8	2 pcs	2 pcs
11	wood screw M4 x 5/8"	4 pcs	4 pcs
12	key tumbler (red)	1 pce	1 pce
13	keyless tumbler (blue)	1 pce	1 pce
14	latchbolt unit	1 pce	1 pce
15	support pin	1 pce	1 pce
16	tweezers	1 pce	1 pce



**II. CONFIRM THE POSITION OF HINGE BEFORE INSTALLATION**

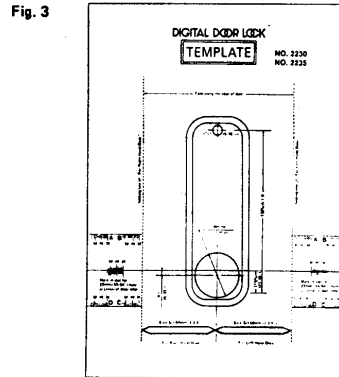
DIGITAL DOOR LOCK is equipped with "FOR RIGHT HAND" which the hinge is installed on the right of the door on the sight from the out-door regardless of the opening direction of the door.

1. In case of "For Right Hand"
  - a. After removing the rectangular lid, confirm whether the "Stainless Pin" is set to the prescribed left hole, as shown in Fig. 1.
  - b. Install the supplied SUPPORT PIN (Part No. 15) to "A" as Fig. 1.
2. In case of "For Left Hand"
  - a. After removing the rectangular lid, change the "Stainless Pin" to the right hole using the supplied tweezers, as shown in Fig. 2.
  - b. Install the supplied SUPPORT PIN (Part No. 15) to "B" as Fig. 2.

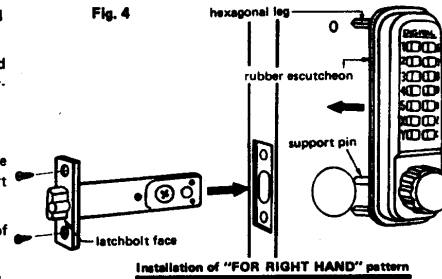


**III. HOW TO INSTALL THE DIGITAL DOOR LOCK**

- a. Use a template at first and decide the position where DIGITAL DOOR LOCK is to be installed.
- b. Mark the hole center for a small hole (8mm dia. ...5/16" dia.) and for a large hole (36mm dia. ...1.7/16" dia.) on the surface of the door. And also mark the hole center of 1 slot for the Latchbolt Unit at the center of door edge through the template. (Refer Fig. 3)

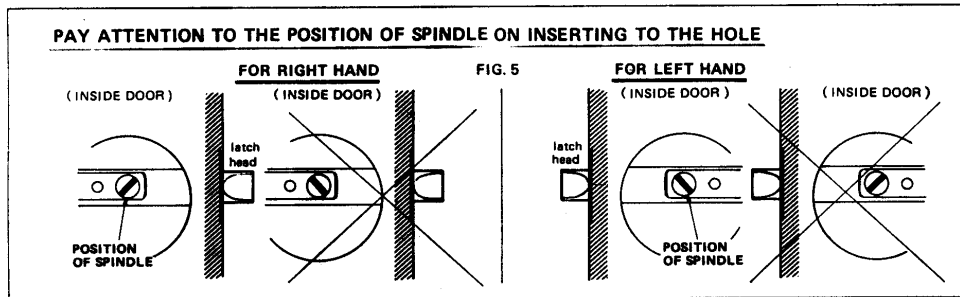


- c. Make 2 holes of 8mm (5/16") dia. and 36mm (1.7/16") dia. on the surface and 1 slot of 22mm (55/64") dia. at the door edge.
- d. Insert the Latchbolt Unit into the slot. Scribe a line around the Latchbolt Face and remove it. Chisel out the scribed space until the Latchbolt Face is flush with the surface of the door edge.
- e. Fasten the Latchbolt Unit with the wood screws of M4 x 5/8". (part No. 11)
- f. After placing the Rubber Escutcheon to the back-side of outside body, insert the upper hexagonal leg to 8mm dia. hole and the lower hexagonal leg and the support pin to 36mm dia. hole. (Refer Fig. 4)

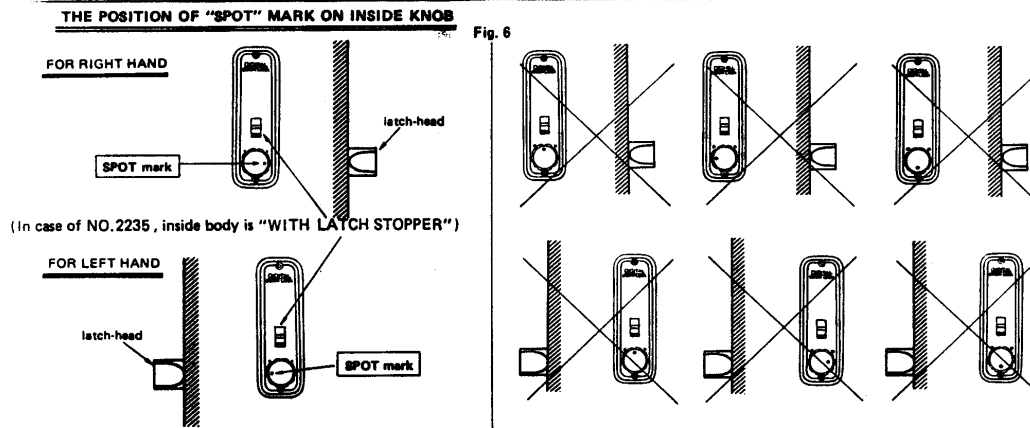


- g. According to the door thickness, select the proper spindle upon referring the following:
  - Door thickness from 40mm (1.37/64") to 55mm (2.11/64") . . . . . 86mm (3.25/64") length spindle (part No. 7)
  - Door thickness from 30mm (1.3/18") to 45mm (1.49/64") . . . . . 76mm (2.63/64") length spindle (part No. 8)

(The indicated size on the Spindle is the applicable door thickness)
- h. Insert the Spindle into the hole of the back-side on the outside body through the hole of Latchbolt Unit from the indoor side. (Refer Fig. 5)



- i. After placing the Rubber Escutcheon to the back-side of inside body, install it to the door. (The spindle should be inserted to the Spindle Hole of inside body.)
- THE SPOT IS MARKED ON THE KNOB OF INSIDE BODY SHOULD BE IN THE DIRECTION OF "LATCH-HEAD" AS FIG. 6.**



- j. Fasten the inside body with the machine screws of the supplied proper length. (part No. 9-10)
- k. Check the operation of latchbolt by turning the inside knob.
- l. Close the door and decide the position where the latchbolt touches to the face of the door jamb. Make the hole for the Mortised Striker and Strike Plate and chisel out the space for Strike Plate until it is flush with the surface. And fasten them with the wood screws of M4 x 5/8". (part No. 11)

#### IV. HOW TO USE THE DIGITAL DOOR LOCK

- a. When the door closed, DIGITAL DOOR LOCK is locked automatically.
  - b. From indoor-side, unlocked by turning the inside knob.
  - c. From outdoor-side, unlocked by turning the outside knob after pushing the equipped SECRET NUMBER.
- • • SPECIAL FUNCTION ON THE ITEM OF NO.2235 . . . . . How to use the "LATCH STOPPER" • • •
- a. After unlocking by turning the inside knob, push down the "LATCH STOPPER" which is in the inside body. (The "SPOT" mark on inside knob ought to be located at the middle position between two spots on inside body.)
  - b. In case of restoring to the normal function, push the "LATCH STOPPER" up.

(The SECRET NUMBER is printed in the Secret Number Card which is put in this package.)  
 (In case of changing the SECRET NUMBER, refer the enclosed "How To Change the SECRET NUMBER".)

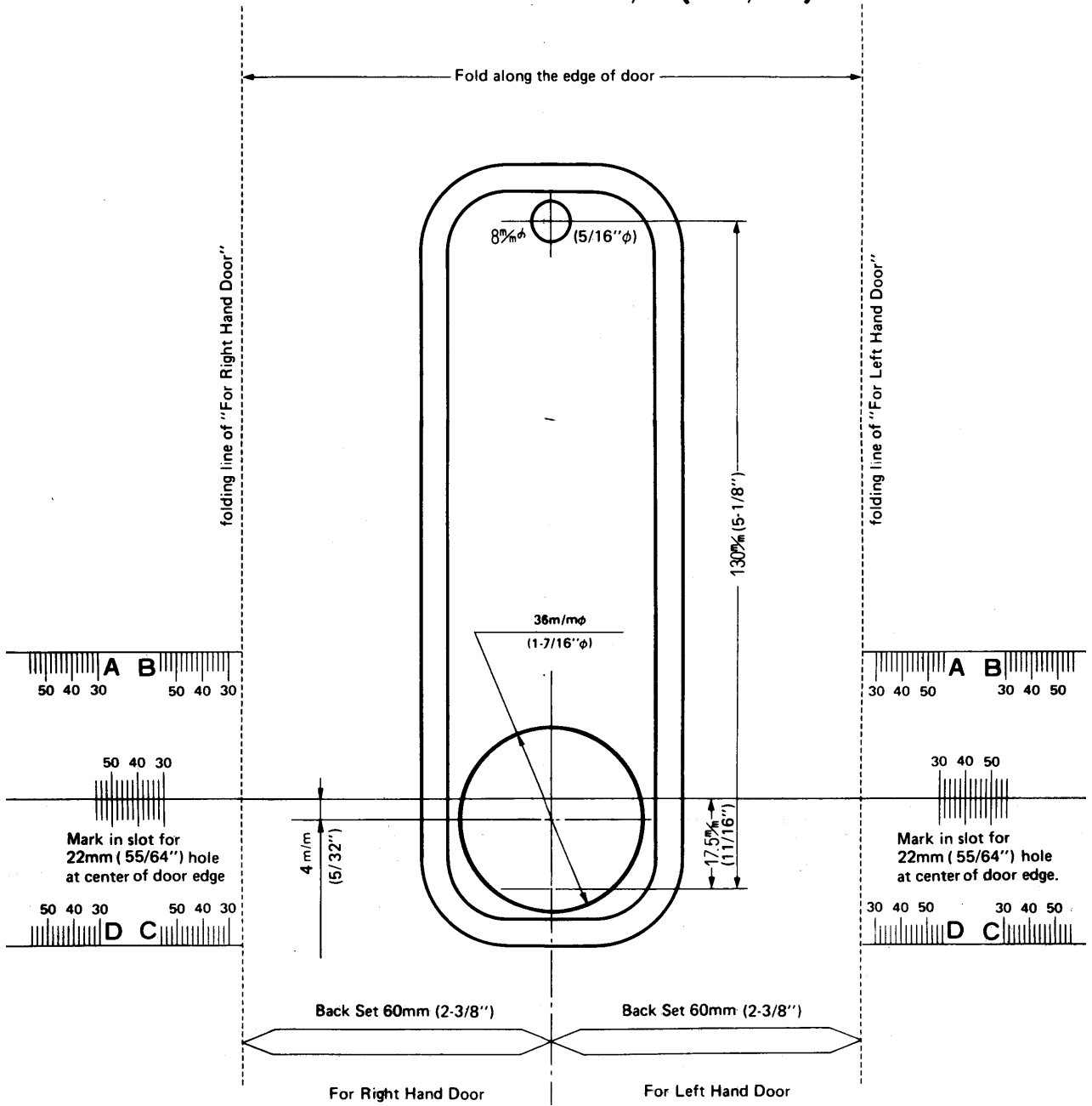
# DIGITAL DOOR LOCK

## TEMPLATE

NO. 2230

NO. 2235

FOR BACK SET 60M/M(2-3/8")





# DIGITAL DOOR LOCK

NO.2430 Built-In type Spring Latchbolt Lock with  
INSIDE HANDLE

NO.2435 Built-In type Spring Latchbolt Lock with  
HOLDBACK DEVICE and INSIDE HANDLE

## Special Instructions

1. Read "INSTALLATION INSTRUCTIONS" sheet (including part II – confirming "HAND" of door and ensuring pin is in correct position in outside body of Digital Door Lock.)
2. Take inside body (figure A),  
At present it is set for right hand door.  
To change to left hand door remove blue screw and insert into the right hand hole tighten sufficiently. (figure B)
3. Follow "INSTALLATION INSTRUCTIONS".
4. To use SNIB HOLD BACK on model No. 2435 bring handle to horizontal position and slide SNIB toward edge of door.  
– Slide SNIB away from door edge for normal operation.

FIG. A

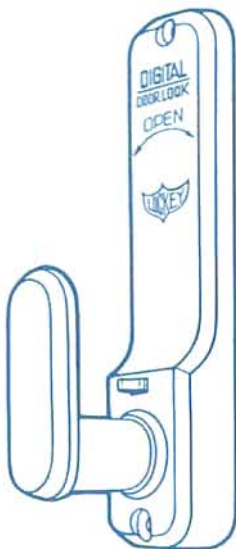
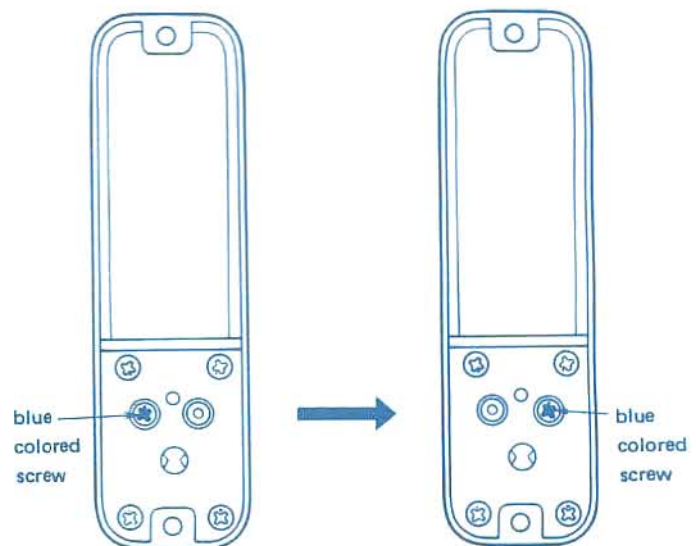


FIG. B

back side of inside body



## HOW TO DISCONNECT SNIB HOLDBACK FACILITY

1. Hold back body of Lock in horizontal position, remove 4 silver screws and lift off the cover plate.
2. Take out the ballbearing, spring and small top plate only.



3. Replace the cover and secure with the 4 silver screws.